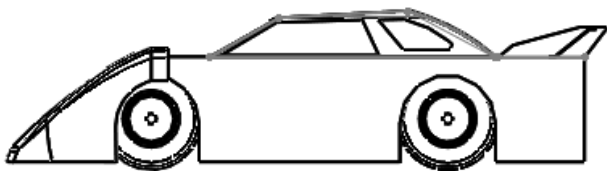
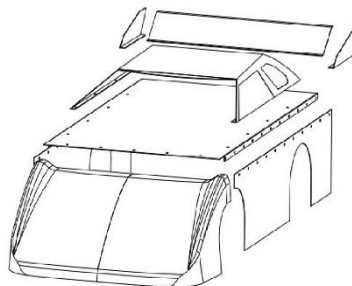


# B421 1/8 LATEMODEL BODY – FOR SHORT COURSE TRUCKS



FRONT NOSE BODY POSTS ARE REQUIRED



DESCRIPTION	QTY
<b>B421 LATE MODEL CLEAR BODY KIT</b>	
<i>12" WIDE .030" THICK</i>	
SIDE PANEL LEFT	1
SIDE PANEL RIGHT	1
ROOF	1
CENTER PANEL	1
WINDOW LEFT SIDE	1
WINDOW RIGHT SIDE	1
NOSE	1
REAR SPOILER	1
END PANEL SPOILER LEFT	1
END PANEL SPOILER RIGHT	1
SIDE PANEL BRACES	2
BODY POST BRACE	2
WINDOW MASKS	1
4-40 X 5/16 PLASTIC SCREW/NUTS	50
4-40 HEX NUT PLASTIC	28

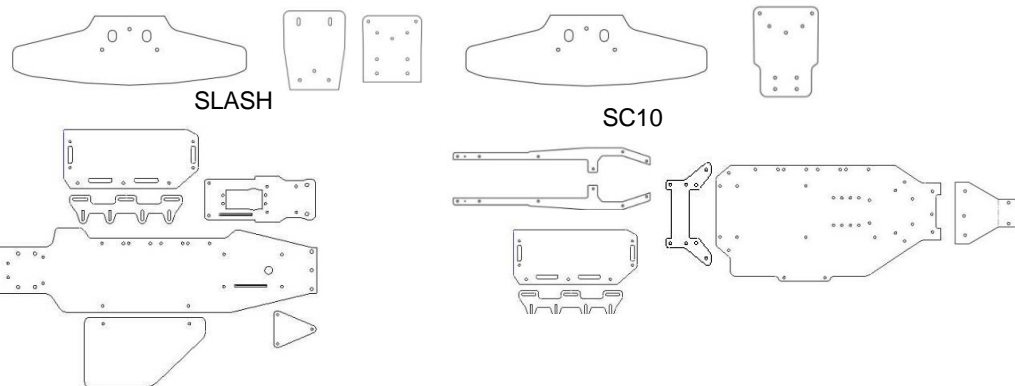
## FRONT BUMPER KITS (STOCK)

1/8 THICK PLASTIC KYDEX

- K390L SLASH/PROLINE BUMPER KIT
- K388L SC10 BUMPER KIT

## OVAL CONVERSION KITS

- CCSLASH-2 SLASH KIT (Proline available)
- K416L SLASH BUMPER
- CCSSC10-2 SC10 KIT
- K388L SC10 BUMPER KIT



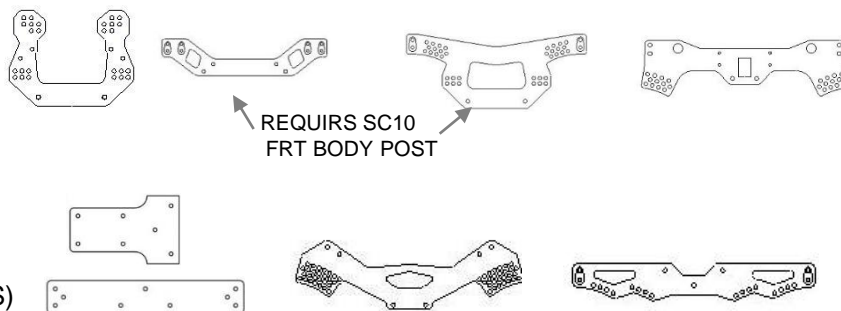
## ACCESSORIES

### SLASH

- CF414 FRONT SHOCK TOWER(STOCK STYLE)
- CF414L FRONT TOWER LATEMODEL ADAPTER
- CF417F FRONT SHORT SHOCK TOWER (TC3)
- CF417R REAR SHORT SHOCK TOWER (TC3)

### SC10

- G389 REAR BODY MOUNT G10
- CF420R REAR SHOCK LOWERING BRACKET (TC3 SHOCKS)
- CF420F FRONT SHOCK LOWERING BRACKET (TC3 SHOCKS)



REQUIRES SC10  
FRT BODY POST