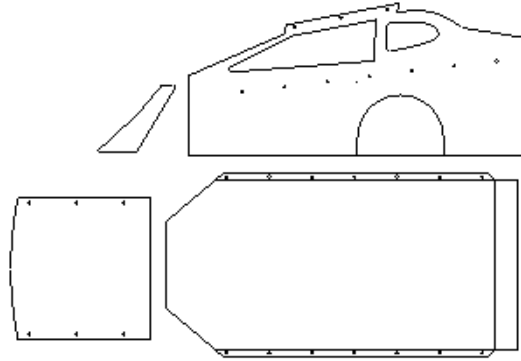


B386 1/8 EDM / MODIFIED BODY – DODC STYLE

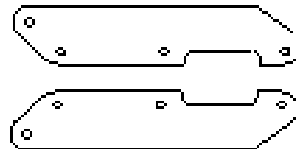


B386-9.5 or 11.5

PART	DESCRIPTION	QTY
LATE MODEL BUMPER KIT K390L		
B386	BODY .03" THICK POLYCARBONATE WINDOW MASKS	1
	4-40 X 1/4 PLASTIC SCREW	28
	4-40 HEX NUT PLASTIC	28

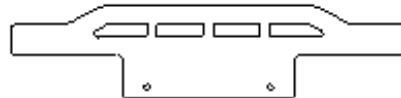
The body comes in 9.5" or 11.5" wide.

K391 SLASH / SC10 FRONT BODY MOUNT f/EDM / Modified



PART	DESCRIPTION	QTY
EDM BODY MOUNT KIT K391		
K391	MOUNT RT LT KYDEX SPACER (FOR SL)	1
F4075B	4-40 X 3/4 BHCS	4
F4001S	4-40 LOCK HEX NUT	4

K387 1/8 EDM UPPER BUMPER



K387

PART	DESCRIPTION	QTY
EDM UPPER BUMPER KIT K387		
B387	BUMPER 1/16 THICK KYDEX	1
F4037B	4-40 X 3/8 BHCS	4
F4001S	4-40 LOCK NUT	4

1/10 & 1/18 SCALE BODIES AVAILABLE.

CUSTOM CHASSIS SYSTEMS

TIM DIPENTI
169 PETERSON RD
RUSSELL, PA 16345
tadipenti@verizon.net

www.ccscustomparts.com